

UNITED STATES PATENT OFFICE.

HENRY CLAY BEMAN, OF MEADVILLE, PENNSYLVANIA.

LAMP-FILLER.

SPECIFICATION forming part of Letters Patent No. 424,259, dated March 25, 1890.

Application filed January 20, 1890. Serial No. 337,494. (No model.)

To all whom it may concern:

Be it known that I, HENRY CLAY BEMAN, a citizen of the United States, residing at Meadville, in the county of Crawford and State of Pennsylvania, have invented certain new and useful Improvements in Lamp-Fillers; and I do declare the following to be a full, clear, and exact description of the invention, such as will enable others skilled in the art to which it appertains to make and use the same, reference being had to the accompanying drawings, and to the letters of reference marked thereon, which form a part of this specification.

The special object of my invention is to fill oil-lamps from an air-tight can automatically in the light or in the dark without pumping, without lifting the can, and without spilling the oil. Of course it may be employed with any liquids whatever in transferring them from one vessel to another.

The drawing is an illustration of my filler in vertical section connected with an air-tight oil-can and lamp in side elevation, partly in section.

In the drawing, A represents an air-tight can with a small pipe *a'* near the top and a small pipe *a* near the bottom, the latter being provided with the usual stop-cock *a*². The small pipe *a* connects by a flexible pipe B with a small pipe *f* on the filler, while the small pipe *a'* connects by a flexible pipe B' with a small pipe *f'* on the opposite side of the filler.

The filler F is tubular, but closed at the top and open at the bottom, the latter being provided with a stopper C, which is attached to the arms D D, that extend up and connect with a nut E. In this nut works a screw E' against the upper end of the filler, for the purpose of opening or closing the valve or stopper C.

G is an air-pipe extending down nearly to the bottom of the filler and up until it joins

the air-pipe *f'*. The air-pipe G is open at the bottom and connects by the piping *f' B' a'* with the air-space above the oil in can A, while the oil flows through the piping *f B a* into the lamp in which the filler is placed, as shown in the drawing.

As long as the air passes freely through the bottom of the filler and the piping *f' B' a' G* into the upper part of the can the atmospheric pressure will cause the oil to flow freely into the lamp; but as soon as the communication is broken by the rise of the oil around the lower open end of the filler the flow will cease; hence by adjusting the slide-gage I on the outside of the filler, so as to regulate the depth to which the lower end of the filler shall extend in the lamp, the lamp may be filled automatically to any desired height without any overflow of the oil.

The stopper or valve C is closed immediately after using the filler, in order to prevent the exudation of any oil or drippage.

Having thus described all that is necessary to a full understanding of my invention, what I claim as new, and desire to protect by Letters Patent, is—

1. A lamp-filler open only at the bottom and connected by piping with both the oil and air spaces of an air-tight can, in combination with an interior continuation of the air-pipe nearly to the bottom of the filler, and an external gage sliding thereon, whereby a lamp may be automatically filled to any desired point, as set forth.

2. The combination, with lamp-filler F, having an open bottom, of a valve or stopper C, arms D D, nut E, and screw E', whereby the bottom of the filler may be closed to prevent drippage, in the manner described.

HENRY CLAY BEMAN.

Witnesses:

A. B. RICHMOND,

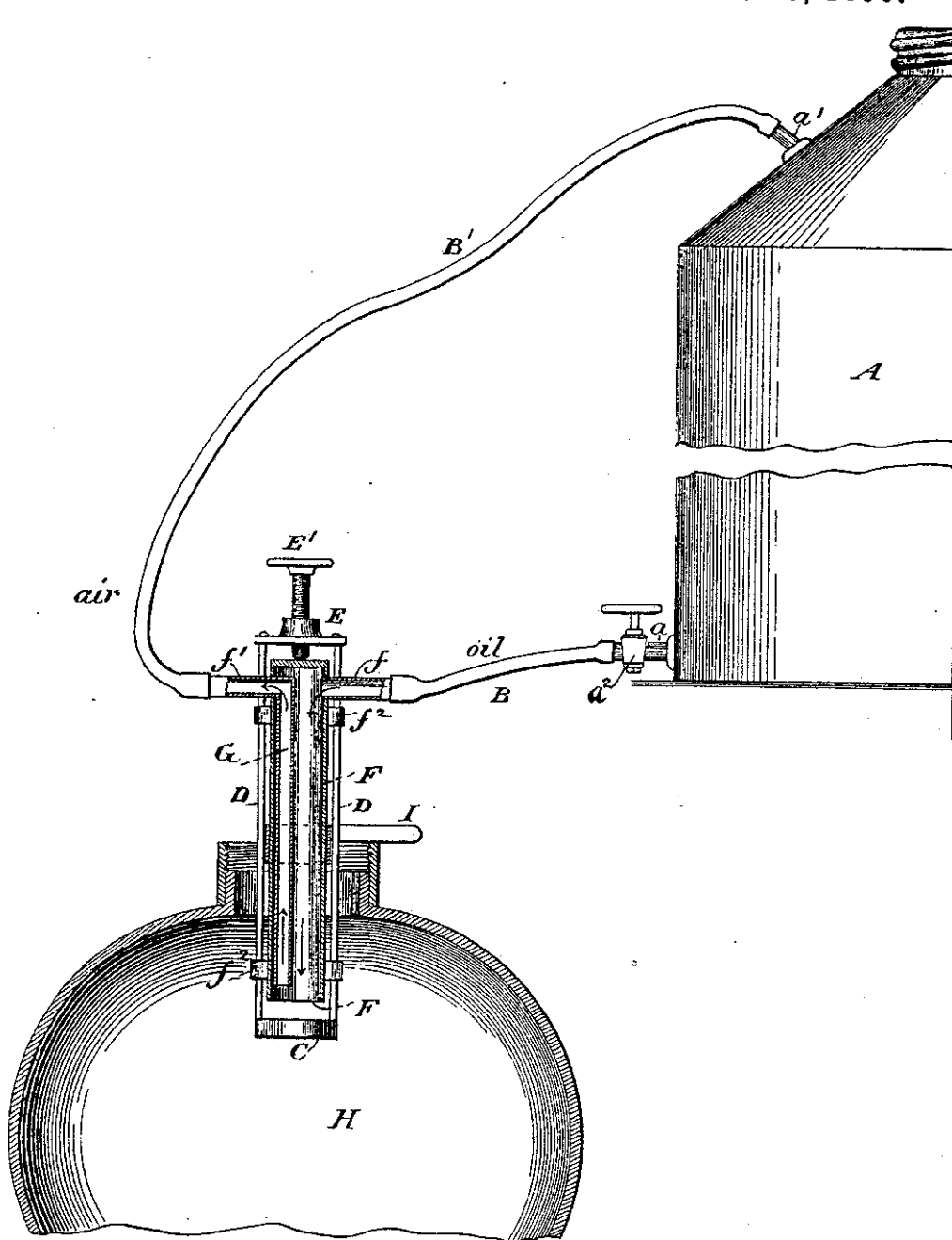
F. H. BEMIS.

(No Model.)

H. C. BEMAN.
LAMP FILLER.

No. 424,259.

Patented Mar. 25, 1890.



Witnesses.
A. Ruppert
H. A. Daniels

Inventor:
Henry C. Beman
Per
Thomas R. Simpson
att'y